



TOTALLY DIFFERENT.



Shown with Slushosity™ Merchandising Materials  
Consult Taylor distributor for merchandising options.



Item No. \_\_\_\_\_

# C314

## Frozen Carbonated Beverage (FCB) Freezer

Four Flavor

### Features

Dispense a light, fluffy, high overrun slush product in a pressurized system from this modular, counter-top freezer. Optional non-pressurized system produces a wetter, lower overrun slush. Air is discharged out the top of the unit to accommodate tight counter space. Optional cart converts the unit to a self-contained floor model, and provides storage for the syrup.

### Freezing Cylinder

Four, 7 quart (6.6 liter).

### Dispensing Door

Clear plastic dispensing doors allow customers to see slush being made. Self closing draw handles are standard. Round dispensing nozzle conveniently fits the hole in domed lids. Push style dispensing handle provides for 2010 Americans with Disabilities Act (ADA) compliant dispensing height.

### Indicator Lights/Audible Alarm

Lights illuminate and audible alarm sounds to indicate loss of CO<sub>2</sub>, water or syrup on the affected freezing cylinder. The other flavors will continue to operate when one loses syrup. A snooze feature may be activated to silence the alarm for 30 minutes.

### Automatic Defrost

Programmable defrost cycles allow the operator to select the time and frequency for defrosting each freezing cylinder independently. The defrost light flashes to warn customers not to draw product from the side that is being defrosted. At the end of the defrost cycle, the freezing cylinder automatically returns to the freeze-down mode.

### Power Saver

During extended no-use periods, the Power Saver feature may be programmed for either Standby or Rest Mode. Standby Mode maintains product in freezing cylinder between 35 & 40°F (1.6 & 4.4°C) for quickest return to serving product. Rest Mode shuts down the refrigeration system for the most energy savings. Start and end times may be programmed independently for seven cycles.

### Sure Set™ Flow Control

Automatically maintains brix settings by compensating for fluctuations in water, CO<sub>2</sub>, and syrup pressures. Water flow is preset at the factory.

### Electronic Viscosity Control

Slushtech™ is standard with our exclusive microprocessor based universal control which regulates refrigeration by measuring product viscosity.

### Air Filter

Removable, cleanable air filter helps keep condenser clean for optimal refrigeration system performance.

### Merchandising

LED display backlights translight and illuminates clear dispensing doors to draw customer attention. This display provides energy efficient, even, consistent lighting.

LIVE AREA: 27.630" w x 13.50" h; DIE CUT: 29.375" w x 15.375" h

*Preventative maintenance programs are available through your local Taylor distributor.*

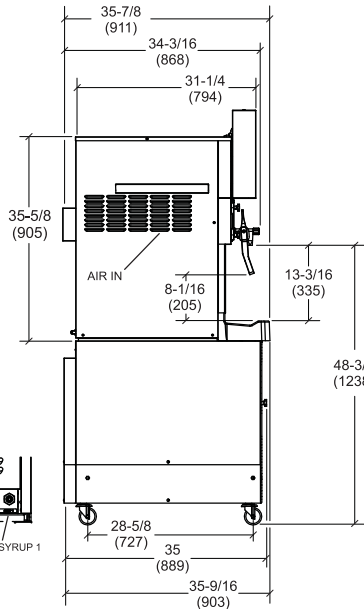
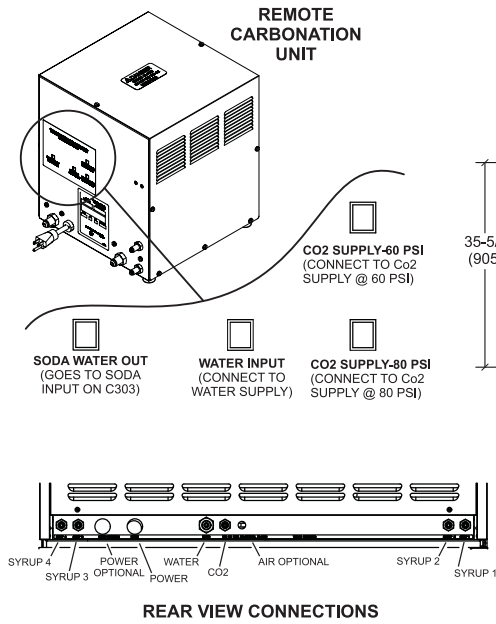
C314

Rockton, Illinois 61072  
**800-255-0626**  
Phone 815-624-8333 Fax 815-624-8000  
**www.taylor-company.com**  
e-mail: info@taylor-company.com

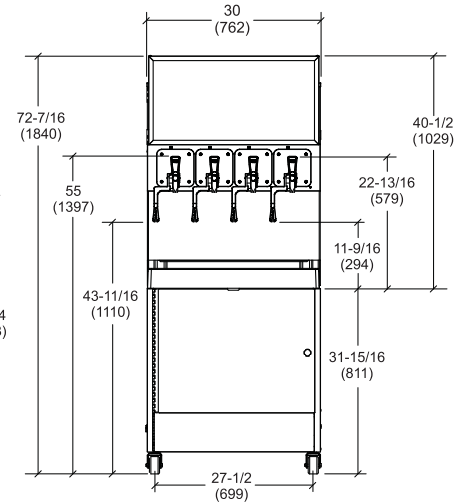
International Office  
Taylor Company S.r.l.  
Roma, Italy  
Tel: **+39-06-420-12002** Fax: +39-06-420-12034  
e-mail: romeoff@taylor-company.com

ISO 9001:2000  
Registered Firm

# C314 Frozen Carbonated Beverage (FCB) Freezer



Shown with optional cart.



FIGURES IN PARENTHESES INDICATE MILLIMETERS

## Specifications

### Electrical

One dedicated electrical connection is required. See the Electrical chart for the proper electrical requirements. Manufactured to be permanently connected. Consult your local Taylor distributor for cord & receptacle specifications as local codes allow.

### Beater Motor

Four, 1/6 HP.

### Refrigeration System

Two, 18,000 BTU/hr compressor (nominal rating). R404A. (Actual BTUs will vary based on application.)

### Carbonation System

Dedicated remote carbonation system. Syrup, CO<sub>2</sub>(1/4" MFL) and soda water (3/8" MFL) fittings connect at the rear of the machine. Requires separate 115 volt, 60Hz, 1 phase electrical connection, NEMA 5-15R.

### Potable Water Pressure

Minimum 25 PSI for proper operation of unit.

### Air Cooled

Minimum Clearance: 3" (76 mm) around all sides, and 12" (305 mm) on the top of the unit. Minimum air clearances must be met to assure adequate air flow for optimum performance.

## Options

- Short lighted display to match top of unit height
- Non-pressurized
- Syrup Tank Fittings
- Syrup Storage Cart: Includes shelves for storing BIB FCB syrups and mounting BIB pumps (not included).

### Cart Dimensions

Width: 30" (762 mm)  
Depth: 35" (889 mm)  
Two Heights Available: 32-1/8" (816 mm) or 25-1/2" (648 mm)

### Cart Weights

Net: 122 lbs. (55.3 kg) Crated: 146 lbs. (66.2 kg)

Weights	lbs.	kgs.
Net	632	287
Crated	697	316
Volume	cu. ft.	cu. m.
Volume	38.7	1.09
Dimensions	in.	mm.
Width	30-1/4	768
Depth	35-13/16	910
Height	40-1/2	1029
Counter Clearance	---	---

\*Designed to rest on a plastic pad directly on counter top or optional cart.

Electrical	Maximum Fuse Size	Minimum Circuit Ampacity	Poles (P) Wires (W)
208-230/60/1 Air	45	35	2P 3W
208-230/60/3 Air	30	24	3P 4W

This unit may be manufactured in other electrical characteristics. Refer to the local Taylor Distributor for availability. (For exact electrical information, always refer to the data label of the unit.)

Continuing research results in steady improvements; therefore, these specifications are subject to change without notice.

### Bidding Specs

Electrical: Volt \_\_\_\_\_ Hz \_\_\_\_\_ ph \_\_\_\_\_  
Neutral:  Yes  No Cooling:  Air  Water  NA

Options: \_\_\_\_\_



**Taylor Company,**  
A Division of Carrier Commercial Refrigeration, Inc.  
Rockton, Illinois 61072  
815-624-8333 800-255-0626 Fax 815-624-8000  
www.taylor-company.com

Printed in U.S.A.

069090-ADV 3/11