



CROWN®
SERIES

TOTALLY DIFFERENT.



Item No. _____

C043

Continuous Dispensing Custard Freezer

Features

Offer premium frozen custard, low overrun ice cream, or sorbet in three separate flavors.

Mix Hopper

Three, 30 quart (28.4 liter). Separate hopper refrigeration (SHR) maintains mix below 41°F (5°C).

Indicator Lights

Lights indicate when mix is low in the hopper.

Product Chute

Ribbon of frozen product flows down chute to separate dipping cabinet. Easily removable for cleaning or moving dipping cabinet.

Mix Flow Regulator

Convenient dials with easy to read markings allow operator to adjust the correct amount of mix flowing into freezing cylinder for proper consistency.

Safety Features

To protect users from accidental injury:

- Beater motor will not rotate unless door is in place.
- Finger guards installed in opening of dispensing door.

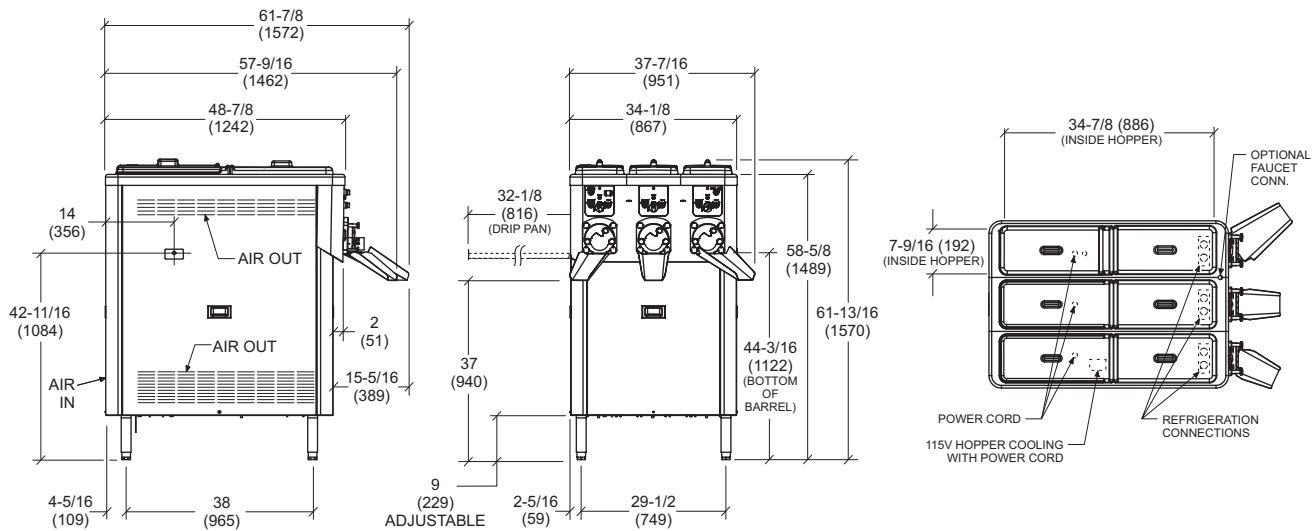


Rockton, Illinois 61072
800-255-0626
Phone 815-624-8333 Fax 815-624-8000
www.taylor-company.com
e-mail: info@taylor-company.com

International Office
Taylor Company S.r.l.
Roma, Italy
Tel: **+39-06-420-12002** Fax: +39-06-420-12034
e-mail: romeoff@taylor-company.com

ISO 9001:2000
Registered Firm

C043 Continuous Dispensing Custard Freezer



TOP VIEW - OPERATOR END
ALL CONNECTIONS LOCATED UNDERSIDE OF BASE

NOTE:
FIGURES IN PARENTHESES INDICATE MILLIMETERS.

Weights	lbs.	kgs.
Net	943	427.7
Crated	1091	494.9
	cu. ft.	cu. m.
Volume	48.4	2.8

Dimensions	in.	mm.
Width	34-1/8	867
Depth	48-7/8	1242
Height	61-13/16	1570
Floor Clearance	9 Adjustable	229

*Mounted on standard legs

Electrical Three Dedicated Connections	Maximum Fuse Size	Minimum Circuit Ampacity	Poles (P) Wires (W)
208-230/60/3 Air	15	7	3P 4W

One Dedicated Connection	Maximum Fuse Size	Minimum Circuit Ampacity	Poles (P) Wires (W)
115/60/1 Air	15	7	2P 3W

This unit may be manufactured in other electrical characteristics. Refer to the local Taylor Distributor for availability.
(For exact electrical information, always refer to the data label of the unit.)

Bidding Specs

Electrical: Volt _____ Hz _____ ph _____
 Neutral: Yes No **Cooling:** Air Water NA

Options: _____

Specifications

Electrical

Four dedicated electrical connections are required. See the Electrical chart for the proper electrical requirements. Dispensing electrical connections may be permanently connected. Hopper cooling is cord connected. Consult your local Taylor distributor for cord & receptacle specifications as local codes allow.

Beater Motor

Three, 2.0 HP.

Refrigeration System

Requires three remote condensing units (Taylor Model RC35 required for warranty coverage).

Separate Hopper Refrigeration (SHR)

One, 1,500 BTU/hr. R404A.
(BTUs may vary depending on compressor used.)
Requires separate 115 volt power supply, cord connected.

Clearance

Minimum Clearance of 3" (76 mm) on left, and 0" on right side. Allow 3 feet (914 mm) in the rear for service access.

Options

- Dipping Cabinet (Consult your local Taylor distributor)
- Dipping Well (Consult your local Taylor distributor)
- Faucet
- Remote Condensing Systems - RC35 three (3) required

Continuing research results in steady improvements; therefore, these specifications are subject to change without notice.



Taylor Company,
 A Division of Carrier Commercial Refrigeration, Inc.
 Rockton, Illinois 61072
 815-624-8333 800-255-0626 Fax 815-624-8000
 www.taylor-company.com

Printed in U.S.A.

065385-ADV 9/10