

# UFF-0350 Flake Ice Machines

## Model

UFF-0350A



Model UFF-0350A\*  
Flake Ice Machine

\*Fits under standard counter heights

## Standard Features

- Up to 350 lbs. (159 kgs) daily flake ice production.
- Up to 50 lbs. (23 kgs) ice storage capacity.
- Flake ice is perfect for food display, salad bars, and cold therapy/healthcare.
- High load maintenance free bearings for enhanced reliability.
- Heavy duty stainless steel cabinet resists corrosion.
- Easy access door, slides up & out of the way.



## Standard Equipment

### UFF-0350

Ice Scoop, 6" Bin Legs, Alternate Low Profile Legs Standard Legs Adjustable from 4-1/2" to 6" Low Profile Non-Adjustable 1/4"

## Ice Machine Electric

\*115/60/1. (230/50/1 also available.)  
115/60/1 ice machines are factory pre-wired with a 6' (180 cm) power cord and NEMA 5-15P plug configuration.

\*230/50/1 ice machines are factory pre-wired with a 6' (180 cm) power cord with no plug.

### Total ampacity:

Air-cooled: 10 amps.

### Maximum fuse size:

Air-cooled: 15 amps.

HACR-type circuit breakers can be used in place of fuses

## Specifications

### Condenser Heat of Rejection (BTU per Hour):

3,500 (average)

### Compressor

Nominal rating: 1/2 HP

### Refrigerant

R-404A

### Operating Limits

Ambient Temperature Range:

50°-110°F (10°-43°C)

Water Temperature Range:

37°-90°F (3°-32°C)

Water Pressure Ice Maker Water In:

Min. 14 psi (96.5 kPa) Max. 80 psi (551.6 kPa)

## Ice Shape

- Flake ice is small hard bits of ice ideally suited for presentation applications.
- With 73% ice to water ratio, ice forms around objects without bruising and holds in place without tipping/spilling.



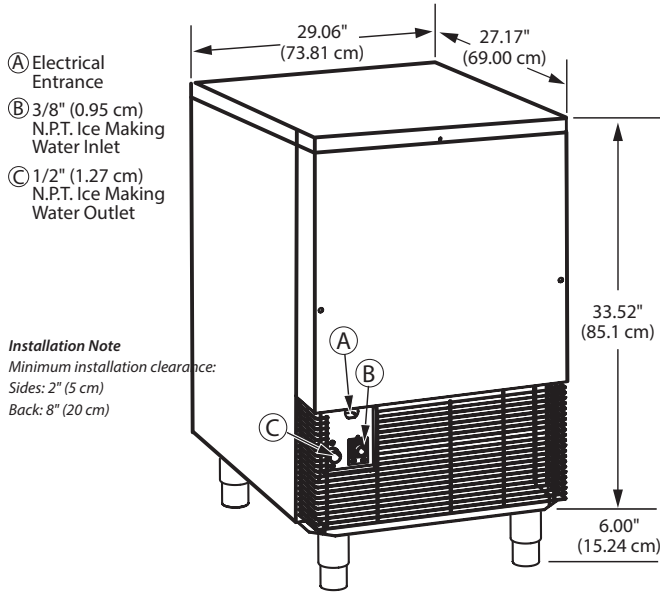
Ice shown actual size



QUALITY MANAGEMENT SYSTEM  
CERTIFIED BY DNV  
ISO 9001:2008



**UFF-0350**



Space-Saving Designs

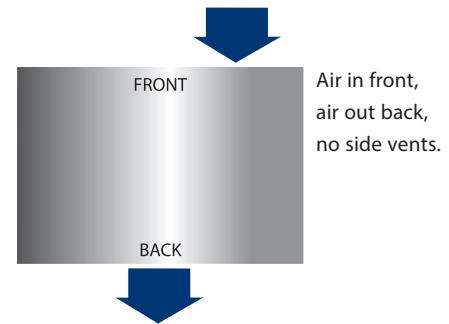


**UFF-0350**  
undercounter height

Height	39.52" 100.4 cm
Width	29.06" 73.81 cm
Depth	27.17" 69.00 cm
Bin Storage	50 lbs. 23 kgs

Height includes adjustable bin legs 4.50" to 6.00", 11.43 cm to 15.24 cm set at 6.00" (15.24 cm).

Air Flow Overhead View



Air-cooled Ice Machine	Model	Ice Shape	Ice Production 24 Hours		Power kWh/100 lbs @ 90°F/70°F 32°Air/21°C	Potable Water Usage (100 lbs./ 45.4 kgs of Ice)	Application Capacity*	2017 AHRI Capacity**	2018 AHRI Capacity **
			70°Air/50°F Water 21°Air/10°C Water	90°Air/70°F Water 32°Air/21°C Water					
UFF-0350A	Flake		350 lbs.	273 lbs.	6.32	12 gal.	60 lbs.	40 lbs	2.04 Cu ft
			158 kgs	123 kgs		45.4 L	27 kgs	18 kg	0.06 Cu m

"A" following model number indicates "Air" condensing unit. Test conditions are 90°F/32°C air, 70°F/21°C water, and 30 ± 3 psig water inlet pressure.  
\* Application capacity is based on 90% of the volume x 33 lbs/ft3 average density of ice must be managed  
\*\*2017 Approved AHRI capacity is based on 80% of the total volume x 30 lbs/ft3 average density of ice  
\*\*\*2018 AHRI certified measurement for bin capacity

Welbilt reserves the right to make changes to the design or specifications without prior notice.