

- KDT-0700A
- KYT-0700A
- KDT-0700W
- KYT-0700W



KT-0700 Ice Kube Machine



- Easy access to food zone with removal of two screws and lift-off door
- High-tech exterior with smudge and fingerprint resistant stainless-like finish
- White plastics in the food zone help identify areas needing cleaning
- Water shield, distribution tube, pump, floats, and trough removable by hand
- Available CleanAir™ pack controls the growth of bacteria and fungi that form slime and cause odors in the food zone

WARRANTY:

Ice Maker: 3 year Parts & Labor
 Evaporator: 5 year Parts & Labor
 Compressor: 5 year Parts & 3 year Labor



HALF KUBE

$\frac{3}{8}'' \times 1\frac{1}{8}'' \times \frac{7}{8}''$
 (.95 x 2.86 x 2.22 cm)

= 100%



KUBE

$\frac{7}{8}'' \times \frac{7}{8}'' \times \frac{7}{8}''$
 (2.22 x 2.22 x 2.22 cm)

= 100%

Refrigerant R410A



KT-0700
 ICE KUBE MACHINE

Koolaire KT-0700 Ice Kube Machine on a K570 bin. Both ice machine and bin are AHRI certified.



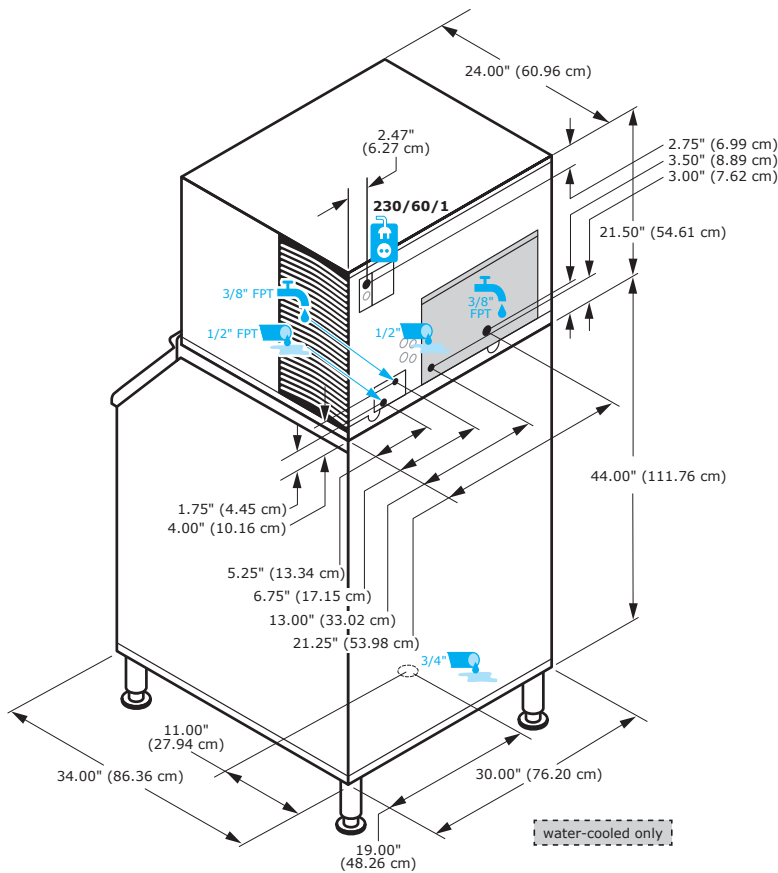
By MANITOWOC

2110 SOUTH 26TH ST | MANITOWOC, WI 54220 USA | 1-920-682-0161 | www.kool-aire.com



KT-0700 ICE KUBE MACHINE

			70°/50° F 21°/10° C	90°/70° F 32°/21° C	[kWh/ 100 lbs ice]	[gal/100 lbs ice]
KDT-0700A			740 lbs	530 lbs	5.35	19.0
			336 kg	240 kg		
KYT-0700A			675 lbs	580 lbs	5.35	19.0
			306 kg	263 kg		
KDT-0700W			660 lbs	550 lbs	4.45	19.0
			299 kg	249 kg		
KYT-0700W			705 lbs	580 lbs	4.45	19.0
			319 kg	263 kg		



Minimum		Maximum
40°F		110°F
4.4°C		43.3°C
40°F		90°F
4.4°C		32.2°C
20psi		80psi
138 kPa		551 kPa
8.5	A	
8.2		
		15 Amps
167 lbs	78 kg	
176 lbs	80 kg	

Water cooled condenser water usage/100 lbs. or 45.4 kg. of ice: 160 gals. / 606 L.

Popular Accessories			
Artic Pure Water Filters	Dispenser Bin Thermostat Kit	Top Air Discharge Kit	Clean Air Pack
AR-Pre & AR 10000	K-00457	K-00379	K-00206

KOOLAIRE

By MANITOWOC

2110 SOUTH 26TH ST | MANITOWOC, WI 54220 USA | 1-920-682-0161 [www.kool-aire.com]